

# ADSL2+ Powerline Router



**A2PR31/B**

❖ ADSL 2+ Powerline Router integrated 3 Port 10/100Mbps Switch

---

## **Features**

- ANSI T1.413 Issue 2, ITU-T G.992.1(G.dmt) and G.992.2 (G.lite) compliant for Annex A, B, ITU-T G.992.3, G.992.4 for ADSL2, ITU-T G.992.5 for ADSL2+
- Downstream and upstream data rates up to 24Mbps and 2Mbps
- Configuration and management operated via WWW browser with password protected access
- WAN and LAN side connection statistics
- All Ethernet ports support auto-crossover (MDI/MDI-X) - No need for crossover cables
- Compliant with IEEE 802.3 and IEEE 802.3u 10/100 Mbps
- DMZ and Virtual Server function provided operating modes include routing, bridge, static IP, PPPoE, PPPoA etc
- High-Speed Powerline adapter with Ethernet interface for fast data transfer over the existing household power supply
- The high-speed transfer rates of 85Mbps for Powerline network even make it possible to transmit video in DVD quality
- No need new wires and use at any power socket with up to ranges of 200 meters
- Supports 56 bits DES encryption for Powerline network
- Allow user to connect PCs and other devices conveniently via any power outlet at home
- Firmware upgrade via HTTP

# ADSL2+ Powerline Router

## Specifications

### ADSL Features

- Compatible with all leading DSLAMs
- Supports DMT line modulation
- Supports Full Rate ADSL: up to 8Mbps downstream, up to 1Mbps upstream
- Supports ITU-T G.992.1 Annex A & T1.413 Issue 2
- Supports ITU-T G.992.1 (G.dmt) Annex B / ETSI TS 101 388 / DTS TM-06006
- Supports ITU-T G.992.1 Annex B - Deutsch Telecom / U-R2
- Supports G.Lite ADSL: up to 1.5Mbps downstream
- Up to 512Kbps upstream (G.992.2)
- Supports DSL handshaking (G.994.1)

### Management Features

- Plug & Play Installation
- Local & Remote Management
- Web-based configuration
- Telnet configuration
- System log

### Bridge Mode

- Ethernet to ADSL self learning Transparent Bridging (IEEE 802.1D)
- Supports up to 128 MAC learning addresses

### LAN Feature

- DHCP
- 3-Port 10/100M Switch

### Security Features

- Password protected configuration access
- User authentication (PAP / CHAP) with PPP Firewall:
  - NAT
  - NAPT

### Powerline Features

- 56 bits DES encryption
- Up to 85Mbps Powerline networking

### Minimum System Requirements

- Any computer with an Ethernet 10/100 Base-T interface
- Any operating system that supports an Ethernet connection with an IP stack

### Temperature

- Storage Temperature: -20°C~70°C
- Operating Temperature: 0°C ~40°C

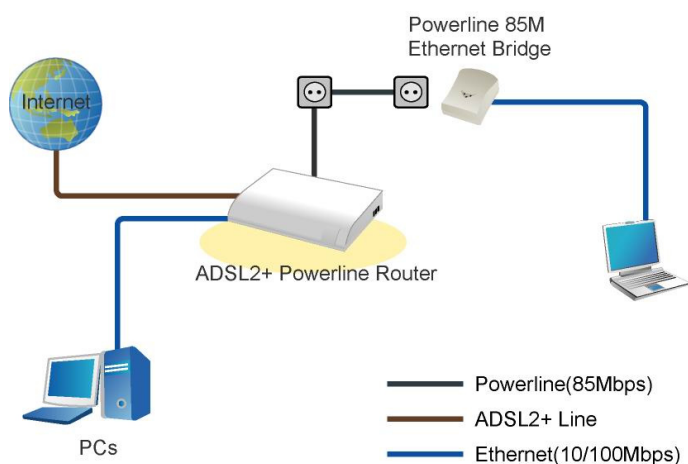
### Humidity

- Storage Humidity: 5%~95% R/H (max).
- Operating Humidity: 10%~90% R/H (max)

### Regulatory Approvals

- FCC, CE, LVD

### Application:



**ACEEX**

2F, NO.2, ALLEY 1, SZE-WEI LANE, CHUNG-CHENG RD., HSINTIEN, TAIPEI 23138, TAIWAN, R.O.C.

TEL: 886-2-22185357 FAX: 886-2-22186329  
http://www.aceex.com Mail: sales@aceex.com