

ADSL Powerline Router



APR41/2C

- ❖ ITU-T G.992.1 (Annex A and Annex B/ETSI/U-R2)
 - ❖ ANSI T1.413 Issue2 / ITU-T G.992.1
 - ❖ Integrated Powerline bridge and 3 port 10/100Mbps switch
-

Features

- ANSI T1.413 Issue 2, ITU-T G.992.1(G.dmt) and G.992.2 (G.lite) compliant for APR41
- ITU-T G.992.1 (G.dmt) Annex B / ETSI TS 101 388 / DTS TM-06006 for APR41B
- ITU-T G.992.1 Annex B - Deutsch Telecom / UR2 for APR41U
- Full rate transmission at up to 8Mbps downstream and 1Mbps upstream
- IP sharing : share a single IP account within your entire network via NAT routing way
- Enhanced Firewall function to log attacker's IP address and protocol type
- Reaches up to 18K feet in distance
- Enhanced management features to monitor all the incoming and outgoing packets and also restrict user's routing path
- DMZ and Port forwarding function provided
- Configuration and management operated via WWW browser, Telnet server
- Operating modes include routing, bridge, static IP plus NAT PPPoE plus NAT, PPPoA plus NAT etc..

Powerline Networking Features

- No New Wires : The same powerline that powers the PC now provides the networking link
- 56-bit DES link encryption for secure powerline networking

ADSL Powerline Router

Specifications

ADSL Features

- Compatible with all leading DSLAMs
- Supports DMT line modulation
- Supports Full Rate ADSL: up to 8Mbps downstream, up to 1Mbps upstream
- Support ITU-T G.992.1 Annex A & T1.413 Issue 2 for APR41
- Supports ITU-T G.992.1 (G.dmt) Annex B / ETSI TS 101 388 / DTS TM-06006 for APR41B
- Supports ITU-T G.992.1 Annex B - Deutsch Telecom / U-R2 for APR41U
- Supports G.Lite ADSL: up to 1.5Mbps downstream
- Up to 512Kbps upstream (G.992.2)
- Supports DSL handshaking (G.994.1)

Management Features

- Plug & Play Installation
- Local & Remote Management
- Web-based configuration
- Telnet configuration
- System log

LAN Feature

- DHCP
- 3-Port 10/100M Switch

Security Features

- Password protected configuration access
- User authentication (PAP / CHAP) with PPP Firewall :
 - NAT
 - NAPT

Powerline Features

- 56 bits DES encryption
- Up to 14Mbps Powerline networking

Minimum System Requirements

- Any computer with an Ethernet 10/100 Base-T interface
- Any operating system that supports an Ethernet connection with an IP stack

Physical Interfaces

- ADSL router with three RJ-45 10/100 Base-T Ethernet port
- ADSL Status, Power Powerline Networking and switching hub LED indicators
- ADSL port with RJ-11 jack

Internet Access

- TCP/IP, UDP, ICMP, ARP, RARP, DHCP
- NAT, (Network Address Translation) for IP sharing

ATM Features

- RFC-2684 Encapsulation (LLC & VC multiplexing) (IP, Bridging & encapsulated routing)
- PPP over ATM (RFC-2364)
- Classical IP (RFC-1577)
- Traffic shaping (UBR)
- PPP over Ethernet client (RFC-2516)

Temperature

- Storage Temperature: -20°C~70°C
- Operating Temperature: 0° C ~40° C

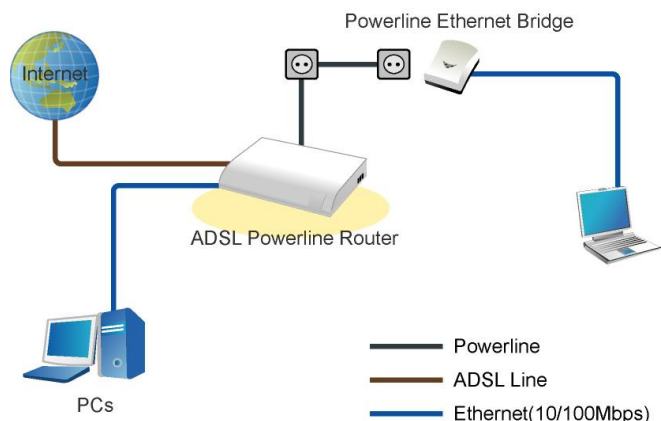
Humidity

- Storage Humidity: 5%~95% R/H (max).
- Operating Humidity: 10%~90% R/H (max)

Regulatory Approvals

- FCC, CE, LVD

Application:



FC CE

ACEEX

2F, NO.2, ALLEY 1, SZE-WEI LANE, CHUNG-CHENG RD., HSINTIEN, TAIPEI 23138, TAIWAN, R.O.C.

TEL: 886-2-22185357 FAX: 886-2-22186329
http://www.aceex.com Mail: sales@aceex.com