

## Powerline/Cable 200M Bridge



PLD200C/N

- ❖ Best for High Definition(HD) and Standard Definition (SD) video distribution at home and no new wire only over the existing household power supply
  - ❖ Integrated with F connector for coaxial cable link
  - ❖ Support data transfer via coaxial cable or powerline
- 

### **Features**

- High-Speed Powerline adapter with Ethernet interface for fast data transfer over the existing household power supply
- The high-speed transfer rates of 200Mbps even make it possible to transmit video in DVD quality
- No need new wires and use at any power socket with up to ranges of 200 meters
- Integrated Enhanced Quality of Service(QoS) features: eight levels of prioritized random access, contention free access, and segment bursting
- Support IGMP managed multicast IP transmission
- Fully compliant with IEEE 802.3 / 802.3u Ethernet standards and HomePlug AV standards
- Provide 128-bit AES Link Encryption with key management for secure Powerline communications
- Up to 200Mbps data rate on powerline networking
- For Bridge mode using for home only, it can easy to integrate powerline and cable network at home.
- For Master/Slave mode using for outdoor/hotel/enterprise infrastructure, not for home.
- Up to 252 slaves with 1 master, 253 total devices for cable link
- Up to 4 masters with up to 1008 slaves, 1012 total devices in 4 AVLNs for cable link
- Up to 4096 addressable devices including bridged devices
- Supports powerline/cable network switch via switch button

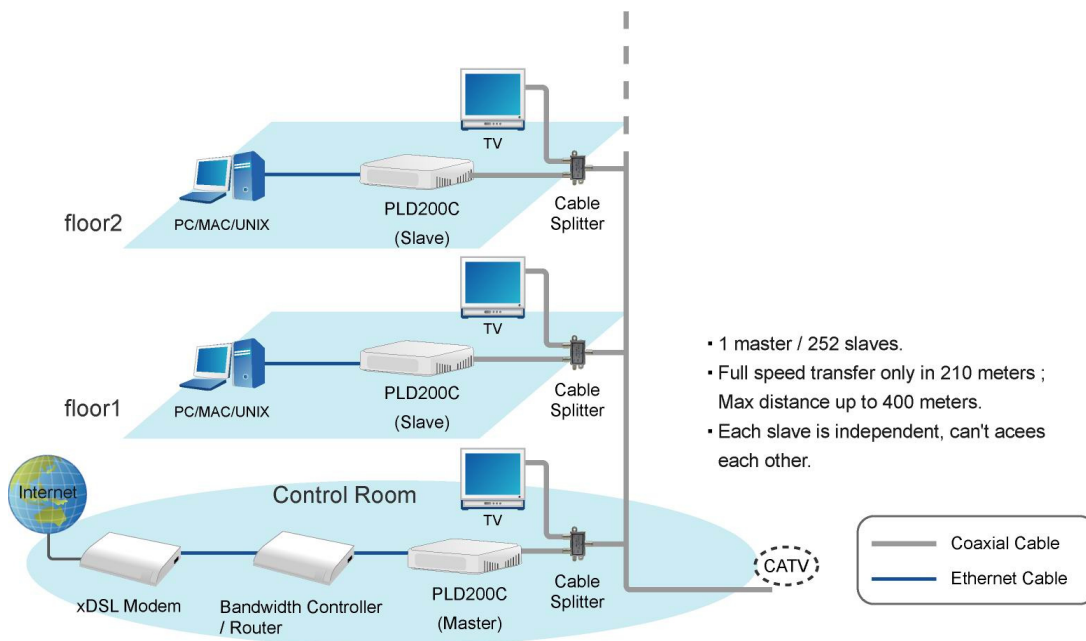
# Powerline/Cable 200M Bridge

## Specifications

<b>Standard</b> <ul style="list-style-type: none"> <li>IEEE 802.3 / 802.3u, HomePlug AV</li> </ul>
<b>Port</b> <ul style="list-style-type: none"> <li>10/100Mbps Ethernet, RJ45</li> <li>F Connector for coaxial cable in</li> <li>F Connector for coaxial cable out</li> </ul>
<b>Powerline Modulation</b> <ul style="list-style-type: none"> <li>OFDM (Orthogonal Frequency Division Multiplexing)</li> <li>Supports 1024/256/64/16/8 QAM, QPSK, BPSK, and ROBO modulation schemes</li> </ul>
<b>Frequency Band</b> <ul style="list-style-type: none"> <li>2MHz – 28MHz</li> </ul>
<b>QoS</b> <ul style="list-style-type: none"> <li>Prioritized random access, contention-free access and segment bursting</li> <li>CSMA/CA with prioritization and ARQ for reliable delivery of Ethernet packets via Packet Encapsulation</li> <li>Integrated Enhanced Quality of Service (QoS) features: eight levels of prioritized random access, contention-free access, and segment bursting</li> </ul>

<b>Cable link</b> <ul style="list-style-type: none"> <li>Master/Slave mode support (coaxial cable link only)</li> <li>Up to 252 slaves with 1 master, 253 total devices</li> <li>Up to 4 masters with up to 1008 slaves, 1012 total devices in 4 AVLNs</li> <li>Up to 4096 addressable devices including bridged devices</li> </ul>
<b>Security</b> <ul style="list-style-type: none"> <li>128 bits AES Link encryption</li> </ul>
<b>Operating Range</b> <ul style="list-style-type: none"> <li>Ranges of 200 meters</li> </ul>
<b>Data Rate</b> <ul style="list-style-type: none"> <li>Up to 200Mbps high speeds</li> </ul>
<b>Led indicator</b> <ul style="list-style-type: none"> <li>3 LEDs for powerline networking status, power Ethernet activity</li> </ul>
<b>Temperature</b> <ul style="list-style-type: none"> <li>Storage Temperature: -20°C~70°C</li> <li>Operating Temperature: 0°C ~40°C</li> </ul>
<b>Humidity</b> <ul style="list-style-type: none"> <li>Storage Humidity: 5%~95% R/H (max).</li> <li>Operating Humidity: 10%~90% R/H (max)</li> </ul>
<b>Regulatory Approvals</b> <ul style="list-style-type: none"> <li>FCC, CE, LVD</li> </ul>

## Application:

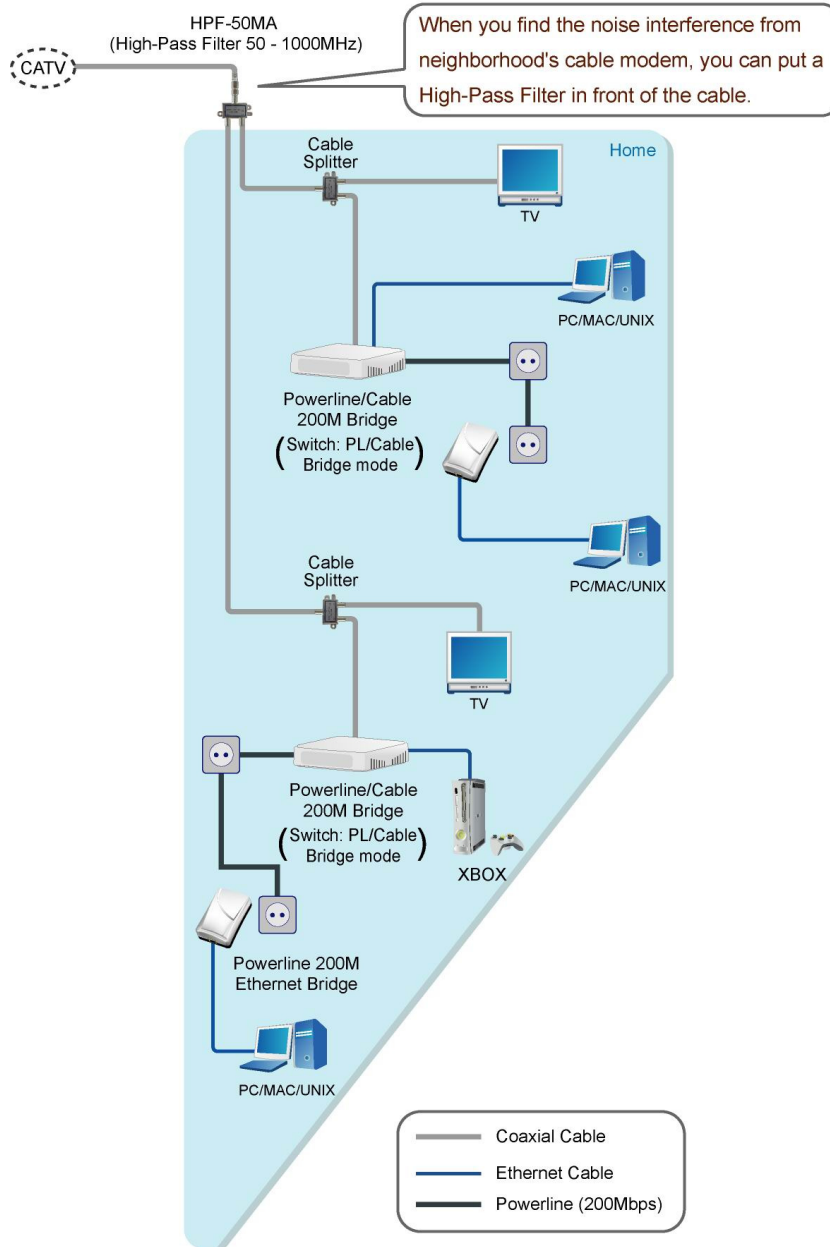


# Powerline/Cable 200M Bridge

Application:

Scenario : For Powerline/Cable Hybrid Home Network.

Get the best performance.



FCCE